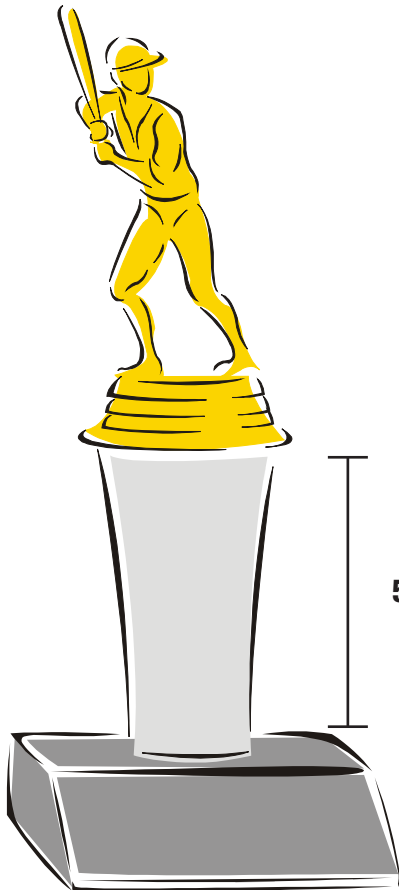




# TROPHY BUILDING

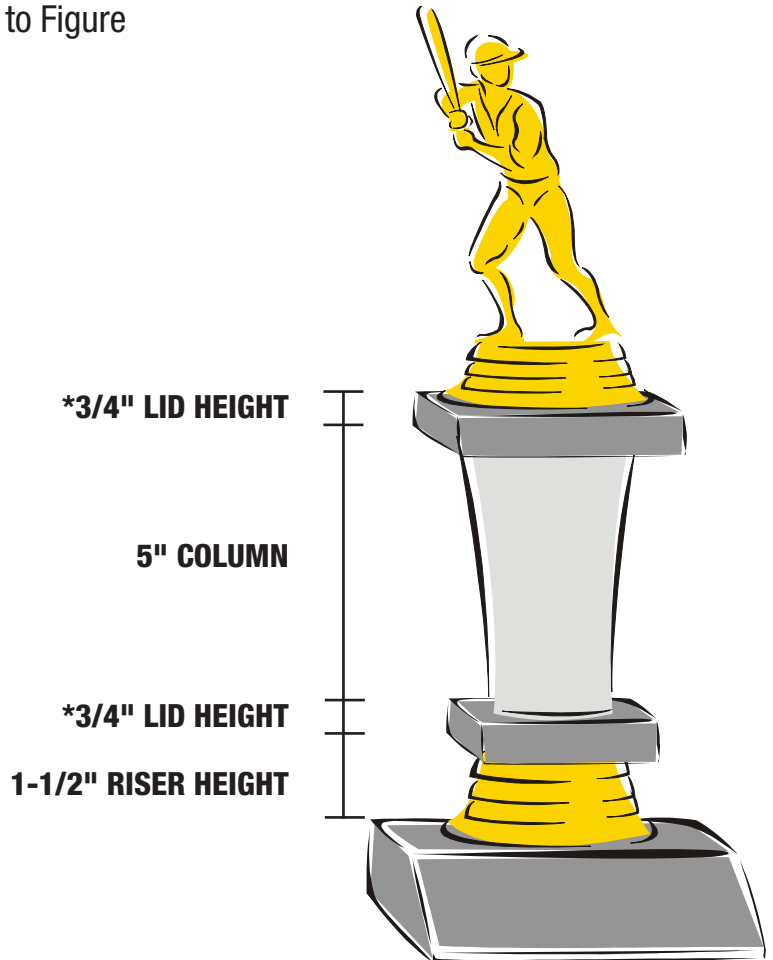
## Determining Rod Length

- Column Length + (Cap, Lid & Riser Height) = Rod Length
- Use 1" Ferrule to Attach Rod to Figure



**Trophy Assembled with  
No Cap, Lid, or Riser  
Rod Length Would be 5"**

*\*Height of lids, caps, and risers may vary. Check specifications in the catalog.  
Tall bases may require a longer rod (BCB, RCB, CB & PED bases)*



**Trophy Assembled with  
2 Lids and a Riser  
Rod Length would be 8"**



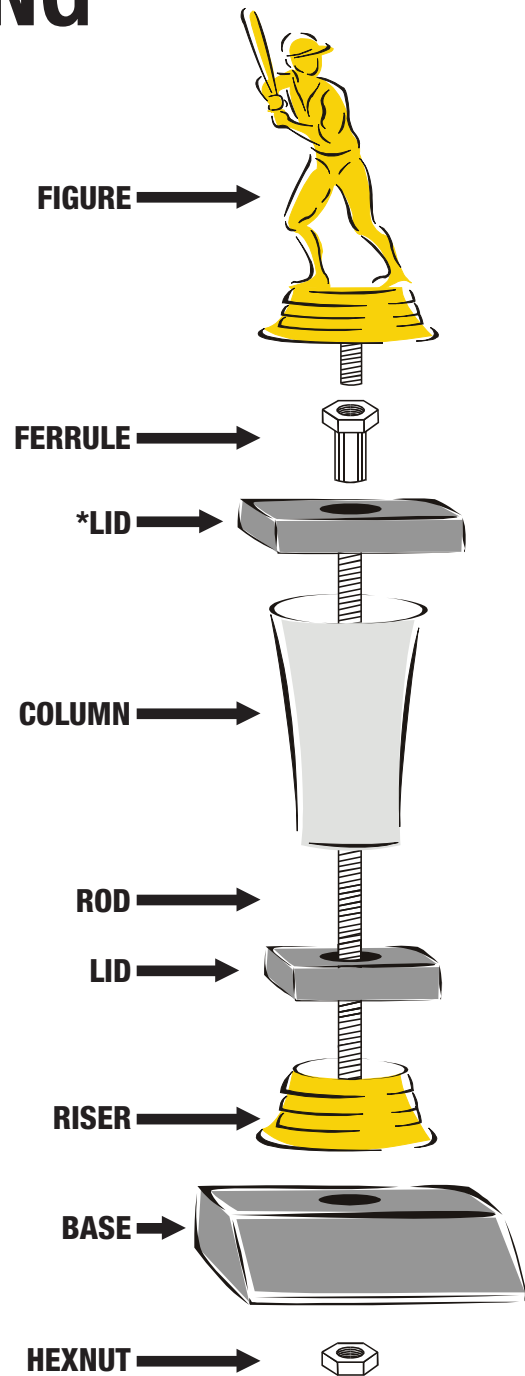
**JDS Industries, Inc.**  
1.800.843.8853  
Fax: 1.605.339.1467  
Email: [sales@jdsindustries.com](mailto:sales@jdsindustries.com)  
[www.jdsindustries.com](http://www.jdsindustries.com)



# TROPHY BUILDING

## Assembly

- 1) Fasten rod to figure stud using a ferrule or coupler.
- 2) Slide the rod through the lid, column, lid rise and base.
- 3) Attach a hexnut and tighten.



*\*When using a check ring instead of a lid, slide the check ring onto the figure stud before attaching the ferrule.*



**JDS Industries, Inc.**  
1.800.843.8853  
Fax: 1.605.339.1467  
Email: [sales@jdsindustries.com](mailto:sales@jdsindustries.com)  
[www.jdsindustries.com](http://www.jdsindustries.com)